

entertaining



Skill rating



Sweat rating

Cost

DO IT YOURSELF

2 days \$273

HAVE IT DONE

1 day \$680

HERE'S CHEERS

Build a mobile wine rack table for easy entertaining

WORDS **ED FREND**O MAIN PICTURE **CHRIS L JONES**
STYLING **LOUISE OWENS** STEP PICTURES **STUART SCOTT**

Every party needs a gathering point, and it's usually around the food and drinks. So why not make a purpose-built wine storage and nibbles table to suit?

This bar-style table houses a glass holder and wine rack for three bottles. We've made it a comfortable height for most standard bar stools. The table will seat four people, with room to rest drinks and eats. To make the table easy to move, add lockable castors to the legs.

Once the table is complete, give it a thorough sand and finish with two coats of Danish oil.



1 Laminate the top

Biscuit or dowel the pieces for the top, then glue, clamp, and set aside to dry. The bottom shelf is made in two pieces to allow for expansion. Join three 65mm wide pieces for each half of the shelf.



2 Mark out the dowels

Mark the centre line on both ends of the four shorter rails, using a marking gauge. Draw the gauge line with a pencil then mark the dowel positions, 15mm in from each edge.



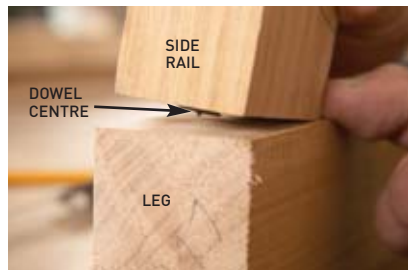
3 Drill the dowel holes

Wrap masking tape around a 10mm dowel drill, 26mm from the tip. Drill dowel holes into the ends of the rails. You've reached the correct depth when the tape sweeps away the swarf.



4 Mark the offset

On the edge of the leg, draw an offset line 5mm in from the face. The top rail sits flush with the end of the leg, and the bottom rail sits 250mm up from the bottom. Repeat for all four legs.



5 Mark the dowel positions

Insert dowel centres into the pre-drilled rail ends. Push the rail onto the leg to mark the dowel centres. Align the top edge of the rail with the end of the leg and the face of the rail with the 5mm offset.



6 Label all the pieces

Repeat the dowelling process for the four short rails. Identify each matching joint and leg with a corresponding letter. Pre-sand all the interior edges before assembling.



7 Set the dowels
Use a short piece of 6mm dowel to distribute yellow glue around the dowel holes in the leg. Drive home two 50 x 10mm dowels. Wipe away excess glue with a damp sponge. Repeat for all legs.



8 Clamp the rails and legs
Attach the rails to the corresponding legs using a deadblow mallet. Clamp, then measure the diagonals to check for square. Attach the wooden cleats to the inside face of the top rails.



9 Mark out cutouts
Mark out the bottle holder cut-outs evenly, 80mm wide for the large cut-outs and 40mm wide for the smaller ones.
TIP I traced around a pineapple tin for the large cut-outs and a piece of water pipe for the smaller ones.



10 Check for fit
Make cut-outs using a jigsaw. Cut close to the line, then sand the edges smooth. Alternatively, use a wider board, drill the cut-outs with a holesaw, then cut in half with a table saw.



11 Measure the depth
Mark out and dowel the longer rails, marking corresponding joints on the inside faces of the end frames. The bottle holder sits 500mm down from the top and 5mm in from the leg.



12 Knock it together
Glue in the dowels and then assemble all pieces with a deadblow mallet and glue. Clamp, then wipe away any excess glue. Check diagonals for square and adjust if necessary.



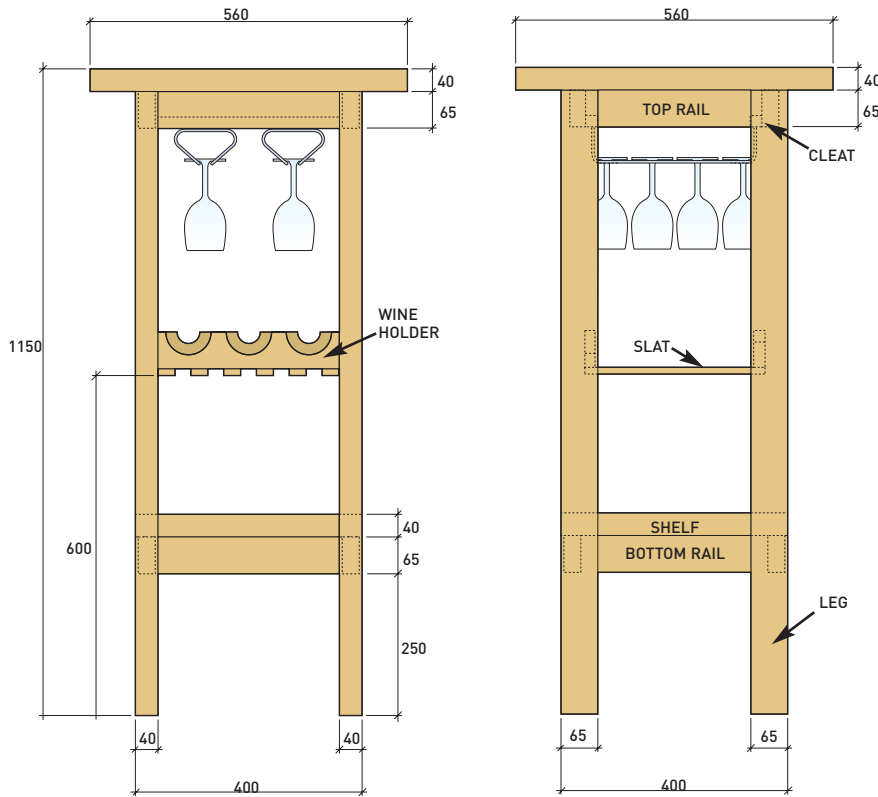
13 Attach slats
Glue the slats to the underside of the wine holder, then fix with 25mm brads in a nail gun, or 25 x 1.6mm panel pins. Use a 28mm spacer to create even gaps between the slats.



14 Bottom shelf
Measure and cut notches in each corner of the bottom shelves, to fit around the legs. Cut using a jigsaw or tenon saw and chisel. Fix the shelf sections to the rails using 25mm metal angle brackets.



15 Wine glasses
Fix the wine glass holders to the wooden cleats. Fix the top to the rails from underneath, using 25mm metal angle brackets. Sand thoroughly then apply two coats of Danish oil.



WINE RACK TABLE PROFILES
(all measurements in mm)

Cutting list

(all measurements in mm)

PART	MATERIAL	NO.	DIMENSIONS
A Legs	Tasmanian oak	4	1110 x 65 x 40
B Rails	"	4	320 x 65 x 30
	"	4	270 x 65 x 30
C Wine holders	"	2	320 x 65 x 18
D Slats	"	6	315 x 30 x 12
E Top	"	1	560 x 560 x 40
F Shelf	"	2	400 x 195 x 40
G Cleats	"	2	320 x 18 x 18



Wine glass racks, \$7.95 each, are from House homewares stores, visit www.house.com.au.

Materials

Visit www.handyman.net.au for tools and materials needed to build a wine rack.

Genuine Excalibur Fibre Cement Board and Plasterboard Cutter

cuts with ease, speed and power



- Compact to give you access to usually inaccessible areas
- Clear visibility to cutting path and cutting lines
- Shearing action is smooth, quick and well controlled
- Gives you full control and manoeuvrability
- Light, well balanced and offers a firm, safe grip
- Cuts up to 40 inch (9m) non-compressed fibre cement board
- Cuts up to 14 inch (8m) compressed fibre cement board
- Cuts up to 60 inch (13m) plasterboard
- Saves professional time and labour costs
- Creates minimum amount of dust
- Free hole is easily moved to cut different thicknesses
- Cuts curves and straight

Technical Specs: 11/14/15



THE Extractor Nail Pliers



The solution to a problem as old as nails

The easiest and fastest way to pull exposed...

- Healed or smooth body nails
- Rusty or damaged fasteners
- Pneumatic fasteners
- Carpet nails • Tacks • Staples



E: tools@excaliburtools.com

Stockist enquiries (02) 9624 7200

Available from
Leading Trade
Tool Outlets



and online at www.excaliburtools.com